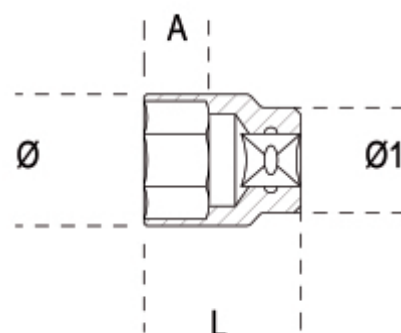


928A
Douille 6 pans


UNI/ISO 2725


art.	Ø mm	Ø mm	L mm	Ø1 mm	A mm	g
009280019	19	29,2	50	34	14,0	173
009280021	21	30,0	51	34	14,0	
009280022	22	31,3	53	34	14,0	196
009280023	23	33,3	53	34	14,0	217
009280024	24	34,5	53	34	16,0	211
009280026	26	36,8	55	35	16,0	255
009280027	27	38,0	56	35	18,0	232
009280028	28	39,0	57	35	18,0	252,3
009280029	29	40,2	58	35	20,0	243
009280030	30	41,5	58	37	20,0	322,5
009280032	32	44,3	60	37	22,0	329,8
009280033	33	45,8	60	37	24,0	340
009280034	34	46,8	60	37	24,0	376
009280035	35	48,1	62	38	25,0	374
009280036	36	49,5	64	38	26,0	459
009280038	38	52,0	68	40	27,0	574
009280041	41	56,0	71	40	29,0	651
009280046	46	62,3	75	43	32,0	811
009280050	50	67,4	80	43	35,0	978
009280055	55	73,7	84	48	38,0	1161
009280060	60	80,0	87	48	41,0	1333